

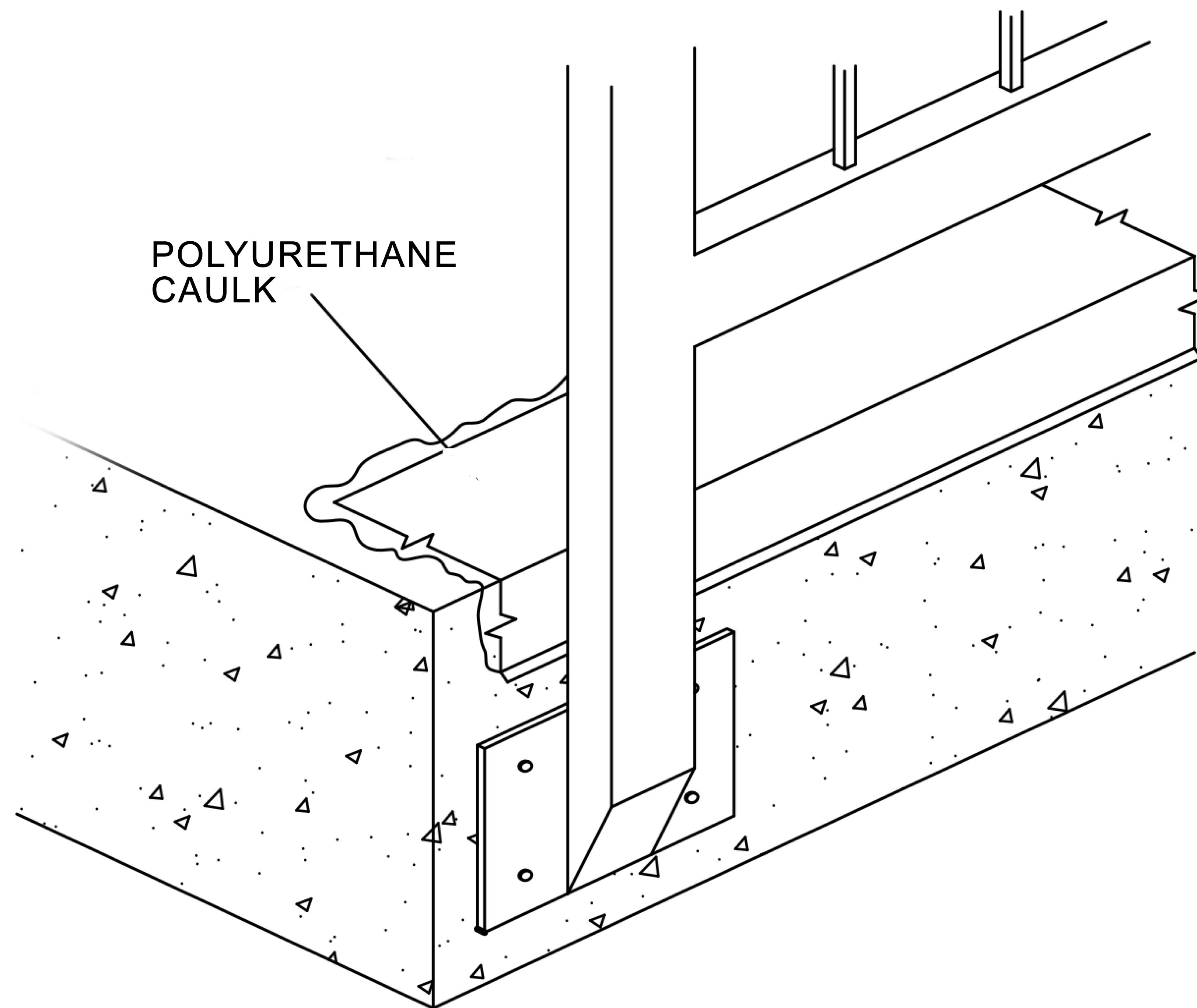
MULTICOAT SIDE MOUNT RAILING DETAIL (OVER CONCRETE)

NOT TO SCALE

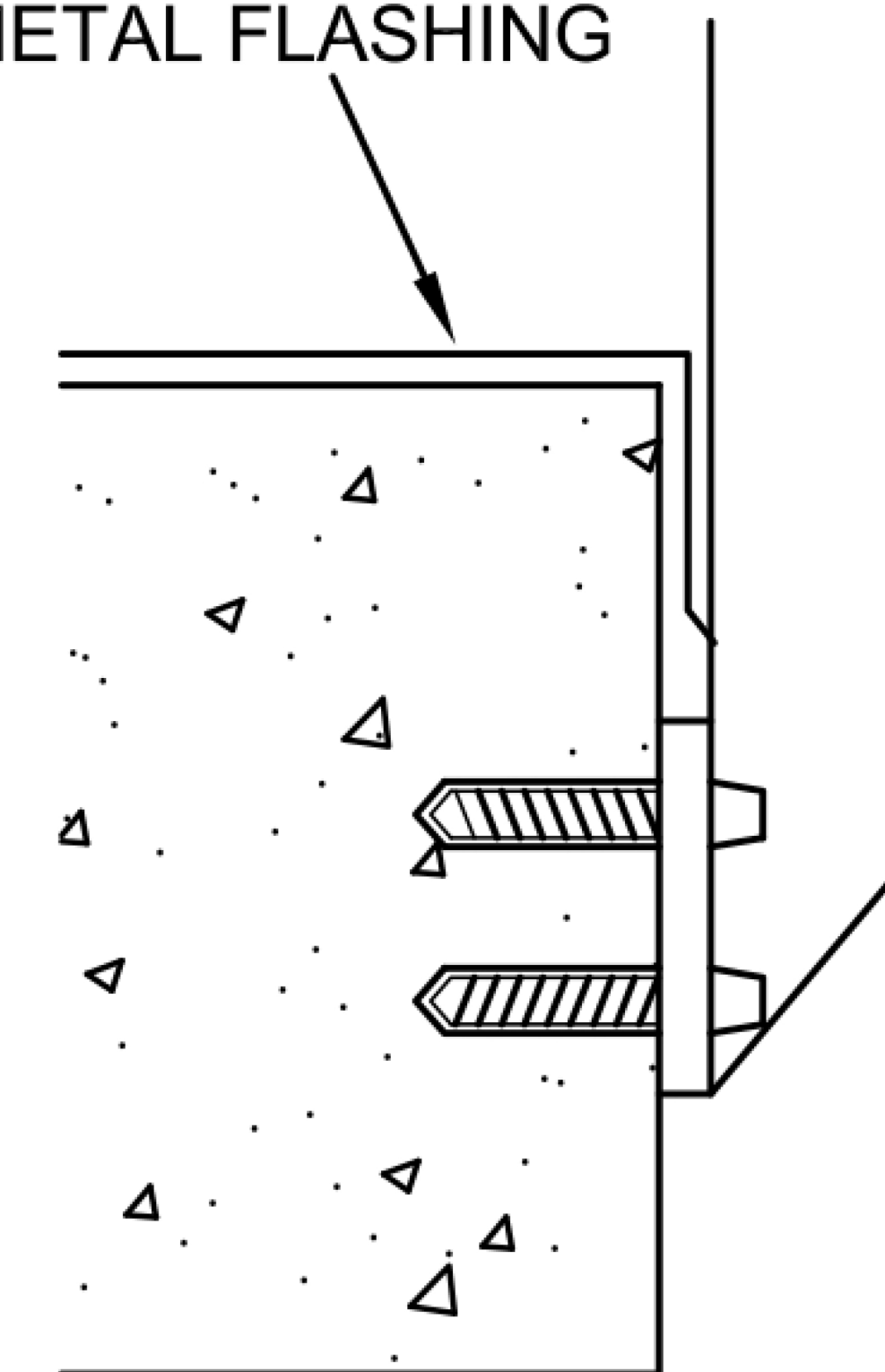
NOTES:

- APPLY POLYURETHANE CAULKING ON ALL FLASHING SEAMS AND OVERLAPS. STANDARD OVERLAP IS BOTTOM TO TOP WITH A 4" OVERLAP.
- 2500 PSI MINIMUM FOR CONCRETE SUBSTRATES
- $\frac{5}{8}$ " EXTERIOR GRADE MINIMUM FOR PLYWOOD SUBSTRATE
- $\frac{1}{4}$ " MINIMUM SLOPE REQUIRED ON ALL DECKS
- REFER TO LOCAL BUILDING CODES & STANDARDS

* NOTE: For installation instructions please refer to the system specification sheets posted on our website. .



2" X 4" 26 GAUGE
BONDERIZED DRIP EDGE
SHEET METAL FLASHING



SIDE PROFILE

23331 ANTONIO PARKWAY
RANCHO SANTA MARGARITA CA 92679



WWW.MULTICOAT.COM
(877)-685-8426